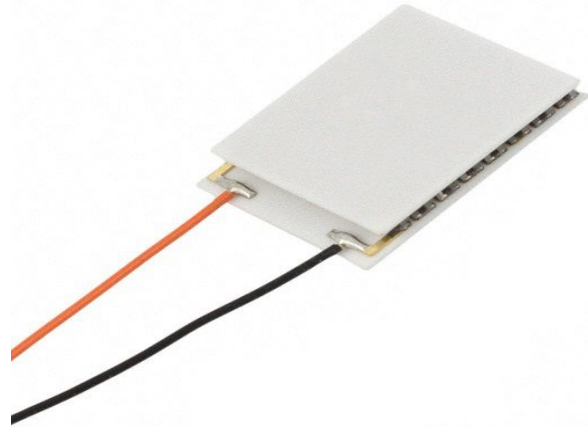


Thermoelectric Generator Performance Specifications

TEG-127005-30X34 W150mm

Cold Side Temperature(°C)	30°C	
Hot Side Temperature(°C)	100°C	200°C
Voc (V)	3.52	8.54
V Load (V)	1.76	4.27
I Load (A)	0.22	0.54
R in (Ω)	7.6	7.9
R Load (Ω)	7.6	7.9
W Load (W)	0.39	2.3
Module Resistance(Ohms) @ 25°C	6.02	



**Tolerances for thermal and electrical parameters ± 10%

P&N TECH

Voc:Open circuit voltage (V)

V Load: Output voltage, corresponded to matched load (V)

I Load: Output current, corresponded to matched load (A)

R in:Module internal resistance at 65°C & 115 °C (Ohm)

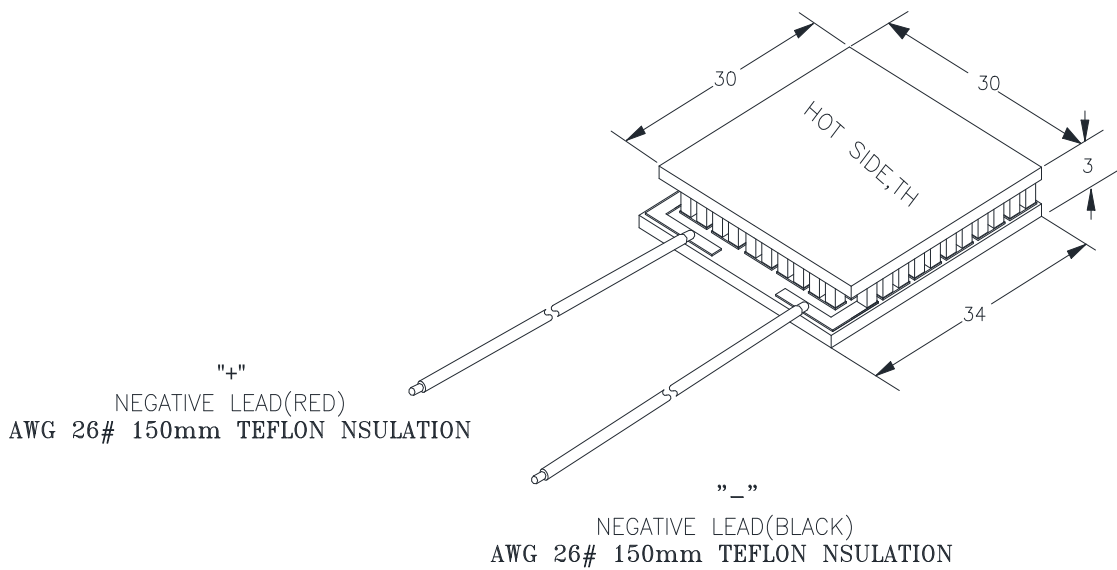
R Load: Output resistance, corresponded to matched load (Ohm)

W Load:Output power, corresponded matched load (W)

◆ Cold side thermal resistance = 0° C/W;

◆ Due to the contact resistance of the surface roughness, surface contact area, contact pressure and other factors are very complex, and mostly are nonlinear factors. Therefore, the actual use of the generating performance should be lower than the above list.

Mechanical Drawing:



Installation:

Recommended mounting methods: Thermoelectric Generator are typically mounted under compression not to exceed 200 psi with thermal grease or flexible graphite.

Operation Cautions:

For maximum reliability, continuous operation below 225°C (cold side and hot side) and intermittent operation below 250°C on the hot side of the Thermoelectric Generator is recommended.

Address: 5/F Xinfei Building 28th Xiangming Road, Torch (xiang'an) Hi-tech Zone, Xiamen Fujian China.

Sales Tel: +86-592-352 1988

Fax: +86-592-352 1989

Postcode: 361 011

Web: www.pengnantech.com