



Thermoelectric Cooler Performance Specifications

TEC1-010090-29X29 W150mm

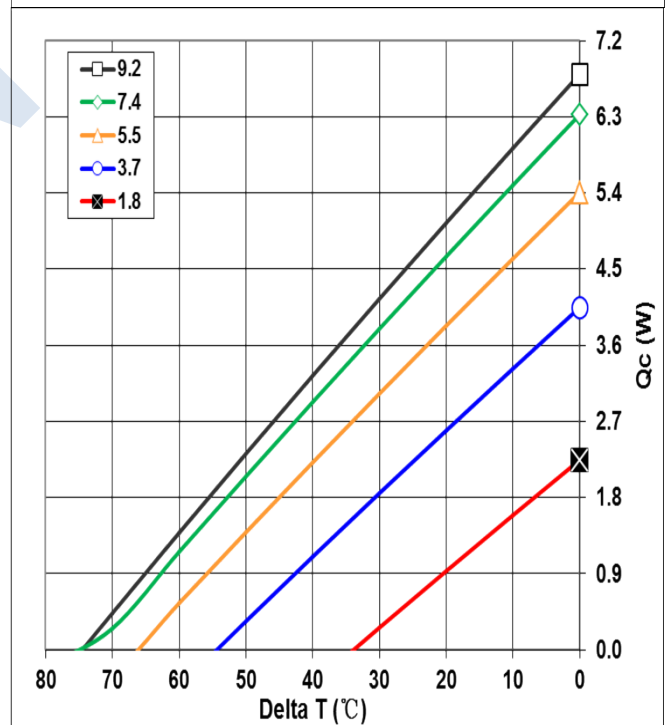
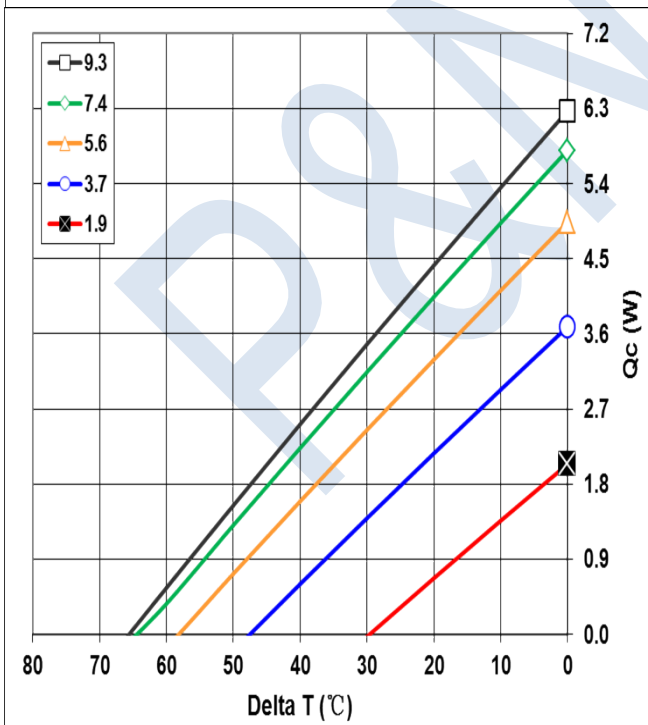
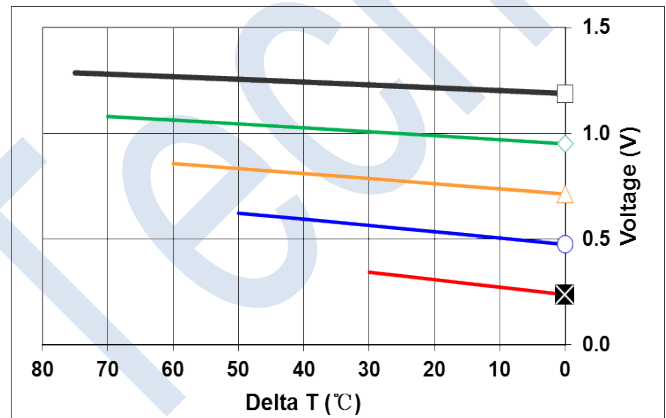
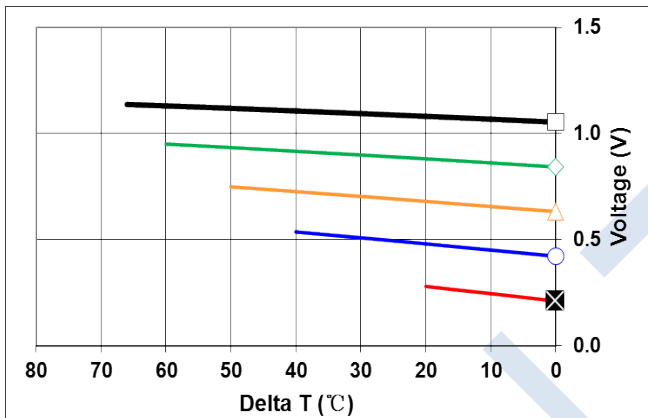
Hot Side Temperature(°C)	25 °C	50 °C
Qmax (Watts)	6.1	6.8
Delta Tmax(°C)	67	75
I _{max} (Amps)	9	9
V _{max} (Volts)	1.2	1.3
Module Resistance(Ohms)	0.12	0.13

**Tolerances for thermal and electrical parameters ± 10%.

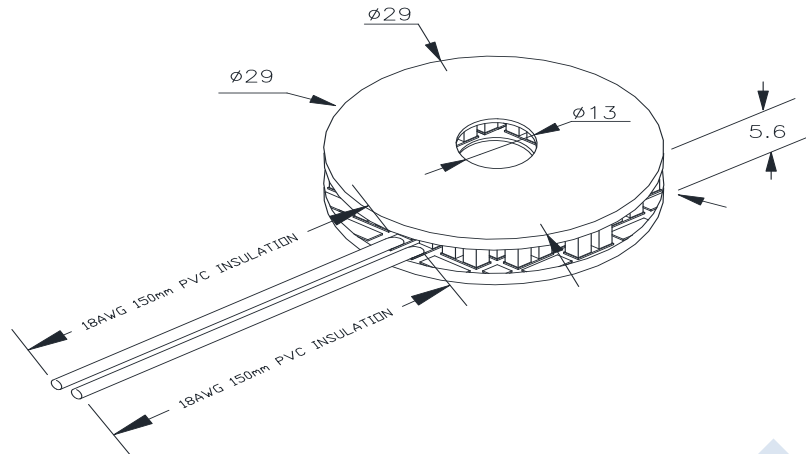


Performance Curves Th=25 °C

Performance Curves Th=50 °C



Mechanical Drawing :



Operation Tips:

- Max Operating Temperature: **90°C**.
- Do not exceed I_{max} or V_{max} when operating module.
- Please consult P&N Technology for moisture and corrosion protection options.

Address: 5/F Xinfai Building 28th Xiangming Road, Torch (xiang'an) Hi-tech Zone, Xiamen Fujian China.

Sales Tel: + 86 - 592 - 352 1988

Fax: +86-592-352 1989

Postcode: 361 011

Web: www.pengnantech.com