



Thermoelectric Cooler Performance Specifications

TEC1-014040-26X26 W150mm

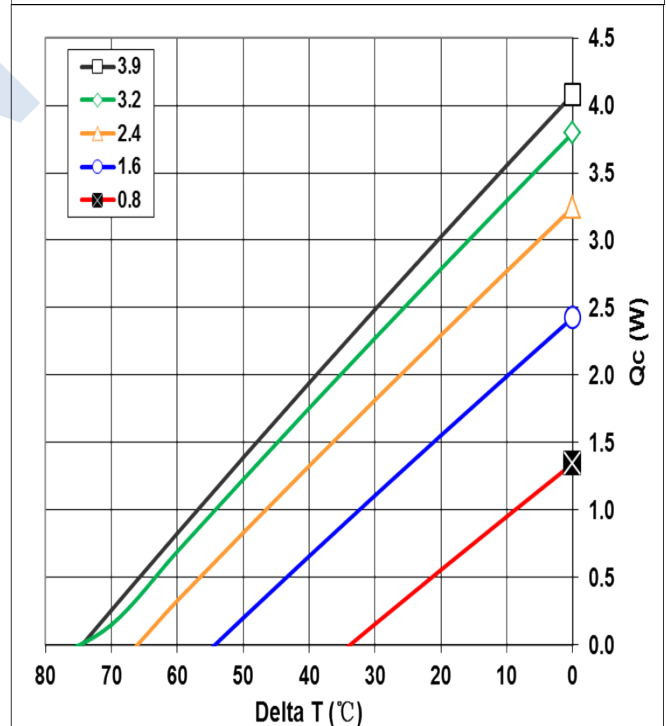
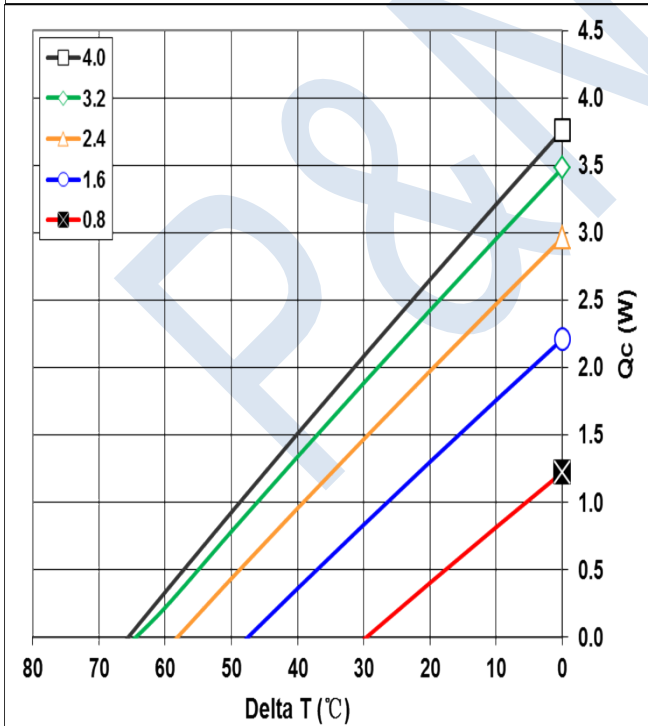
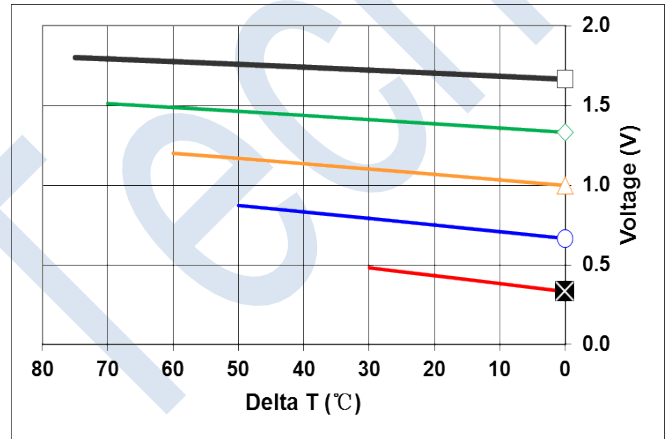
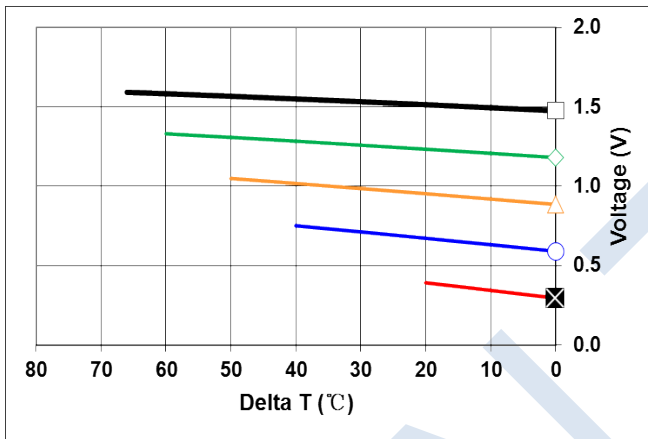
| Hot Side Temperature(°C) | 25 °C | 50 °C |
|--------------------------|-------|-------|
| Qmax (Watts)             | 3.7   | 4.1   |
| Delta Tmax(°C)           | 67    | 75    |
| I <sub>max</sub> (Amps)  | 3.9   | 3.9   |
| V <sub>max</sub> (Volts) | 1.7   | 1.8   |
| Module Resistance(Ohms)  | 0.37  | 0.42  |

\*\*Tolerances for thermal and electrical parameters ± 10%.

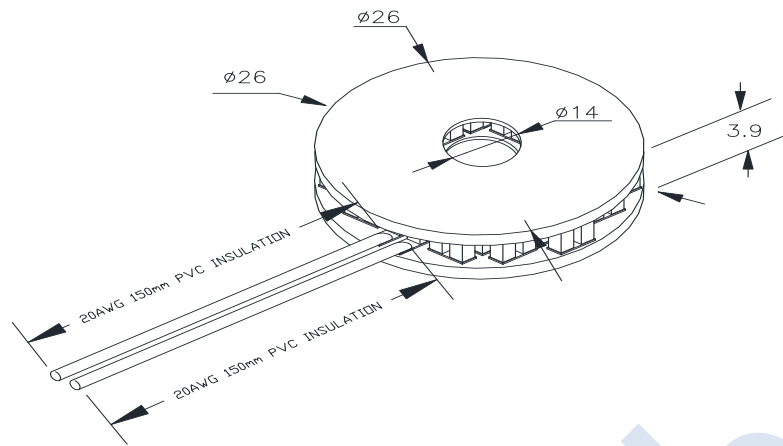


Performance Curves Th=25 °C

Performance Curves Th=50 °C



Mechanical Drawing :



---

#### Operation Tips:

- Max Operating Temperature: **90°C**.
- Do not exceed  $I_{max}$  or  $V_{max}$  when operating module.
- Please consult P&N Technology for moisture and corrosion protection options.

---

**Address:** 5/F Xinfai Building 28<sup>th</sup> Xiangming Road, Torch (xiang'an) Hi-tech Zone, Xiamen Fujian China.

**Sales Tel:** + 86 - 592 - 352 1988

**Fax:** +86-592-352 1989

**Postcode:** 361 011

**Web:** [www.pengnantech.com](http://www.pengnantech.com)