

热电模块性能规格书

TEC1-014080-26X26 W150mm

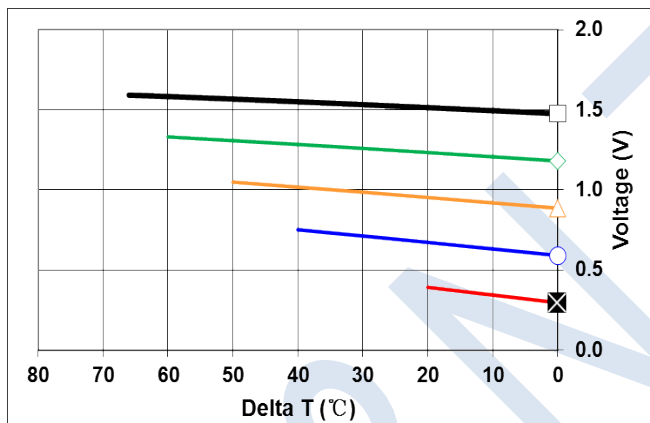
Hot Side Temperature(°C)热面温度(°C)	25 °C	50 °C
Qmax (Watts)最大制冷量(w)	7.6	8.9
Delta Tmax(°C)最大温度差(°C)	67	75
I _{max} (Amps)最大输入电流(A)	8.5	8.5
V _{max} (Volts)最大输入电压(V)	1.7	1.8
ModuleResistance(Ohms)电阻值(Ω)	0.17	0.19

**Tolerances for thermal and electrical parameters ± 10%.
热电参数的公差 ±10%



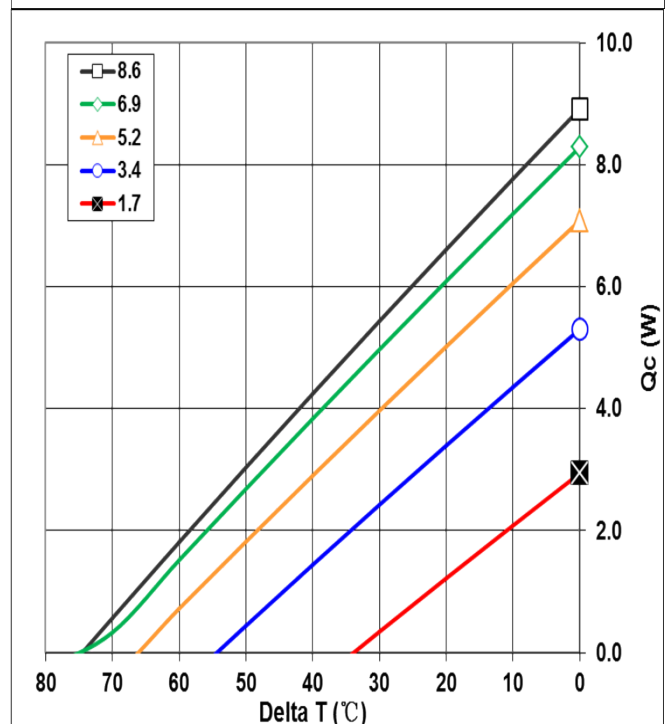
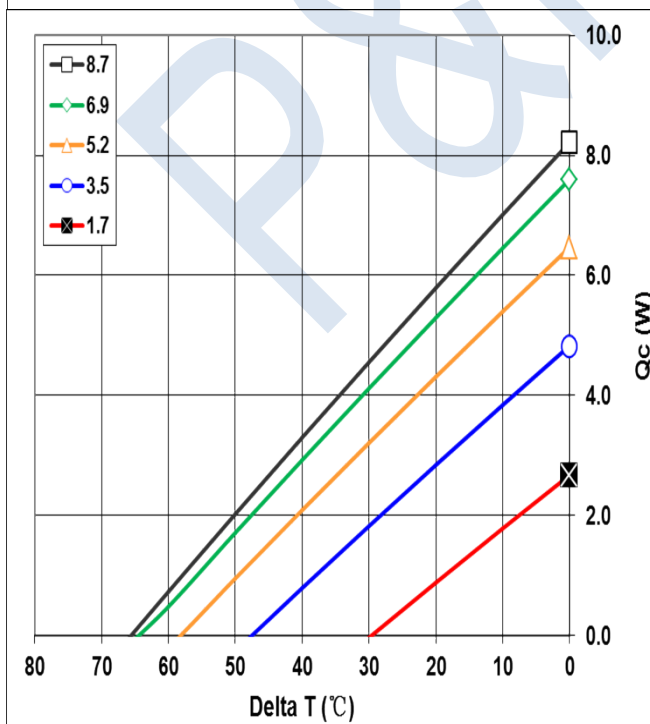
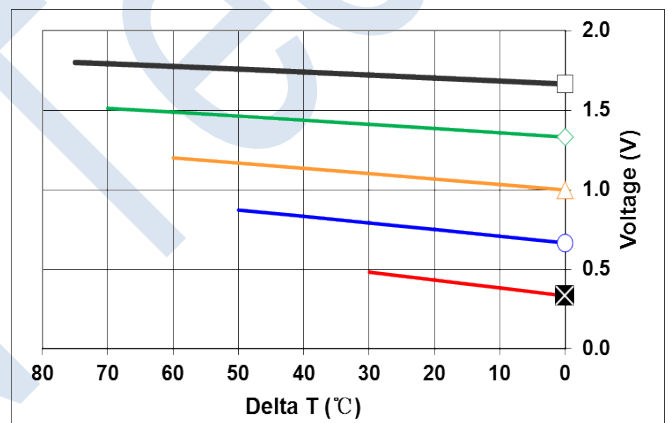
Performance Curves Th=25 °C

(性能曲线Th=25°C)

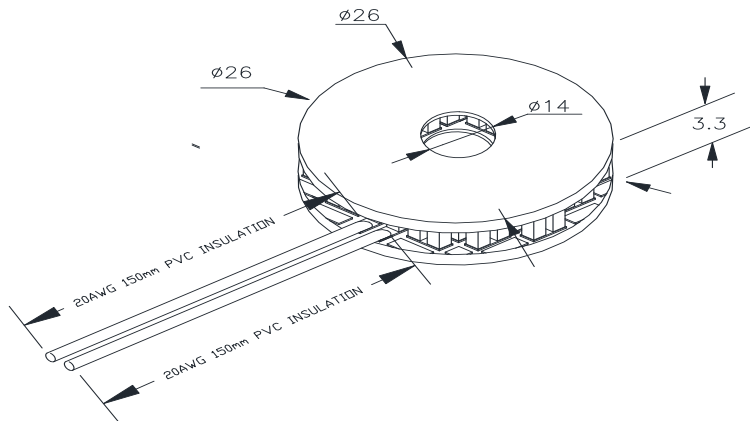


Performance Curves Th=50 °C (性能曲线)

Th=50°C)



Mechanical Drawing (示意图) :



Operation Tips:

操作提示:

- Max Operating Temperature: **90°C**.
最大工作温度:90°C
- Do not exceed I_{max} or V_{max} when operating module.
不超过最大电流或最大电压操作模块
- Please consult P&N Technology for moisture and corrosion protection options.
防潮防腐事项请咨询鹏南科技

Address: 5/F Xinfei Building 28th Xiangming Road, Torch (xiang'an) Hi-tech Zone, Xiamen Fujian China.

地址: 中国福建省厦门火炬高新区(翔安)产业区翔明路28号新飞大厦5楼

Sales Tel: + 86 - 592 - 352 1988

Fax: +86-592-352 1989

Postcode: 361 011

Web: www.pengnantech.com