

**Air-to- Air Thermoelectric Assembly**

AA-40-24-C

**Specifications:**

Cooling Power Qcmax (W)	40
Running Current (A)	3.2
Nominal Voltage (V)	24
Max Voltage (V)	27
Power Input (W)	77
Operating Temperature (°C)	-10 to 50
Weight (kg)	1.8
MTBF (fans-hrs)	20,000
Performance Tolerance	±10%



**Features**

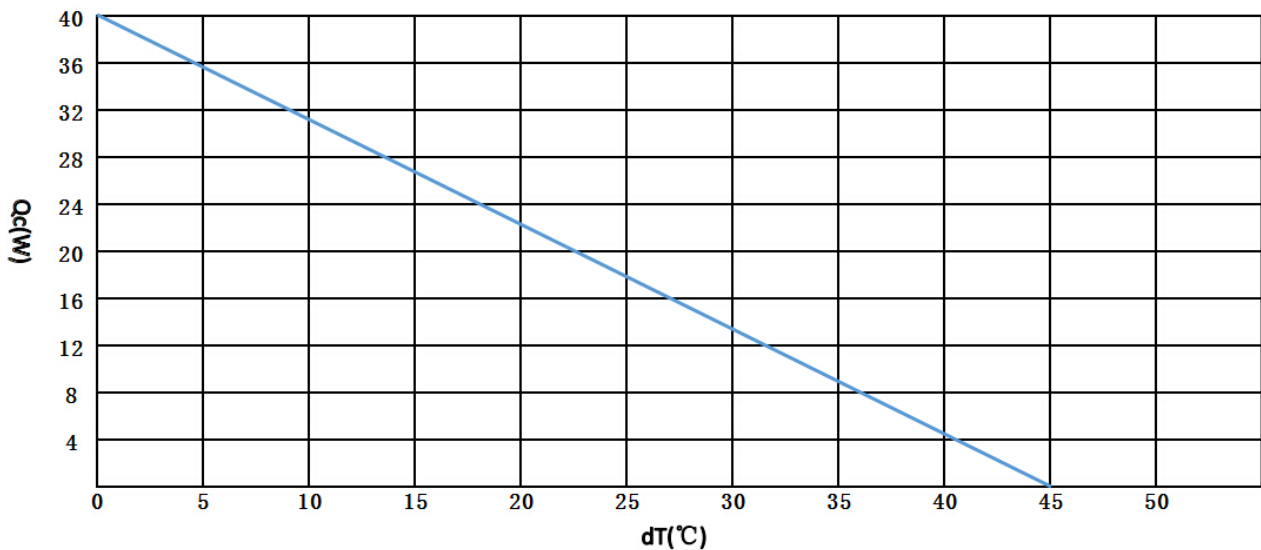
- Compact design
- Precise temperature control
- Reliable solid-state operation
- DC operation
- RoHS compliant

**Applications**

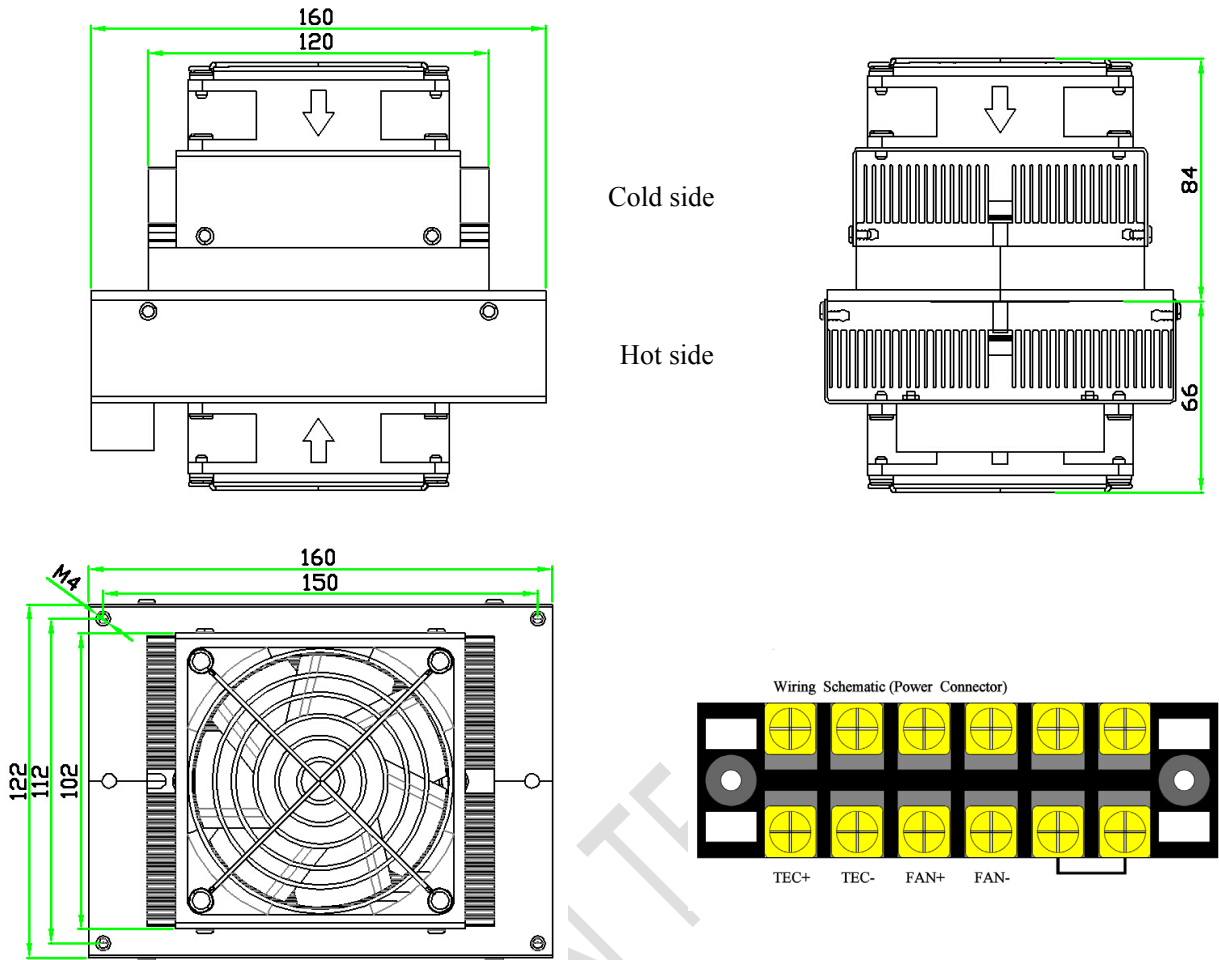
- Analytical instrumentation
- Medical diagnostics
- Photonics laser systems
- Industrial instrumentation
- Food and beverage cooling

All products are manufactured in an ISO 9001:2008 & ISO/TS 16949:2009 certified facility and are designed to meet the cooling needs of many thermal management applications in the medical, analytical, industrial and telecom markets.

**Performance Curve**



**Mechanical Drawing**



**Installation and Service manual**

**Installation:**

The TE assembly is mounted in a cabinet with “Hot side” mounted externally;  
 Suitable cabinet cutout is 105x122mm;  
 Recommended for general purposes: the TE assembly is fastened with 4XM4 machine screws,4XM4 flat washers so that the gasket material will seal off around the flange of the assembly.

**Service:**

Fan impellers and heat sinks must be cleaned on regular intervals to reduce risk for overheating and reduction of cooling function.

**Address:** 5/F Xinfei Building 28<sup>th</sup> Xiangming Road,Torch (xiang'an) Hi-tech Zone, Xiamen Fujian China.

**Sales Tel:** +86-592-352 1988

**Fax:** +86-592-352 1989

**Postcode:** 361 011

**Web:** [www.pengnantech.com](http://www.pengnantech.com)